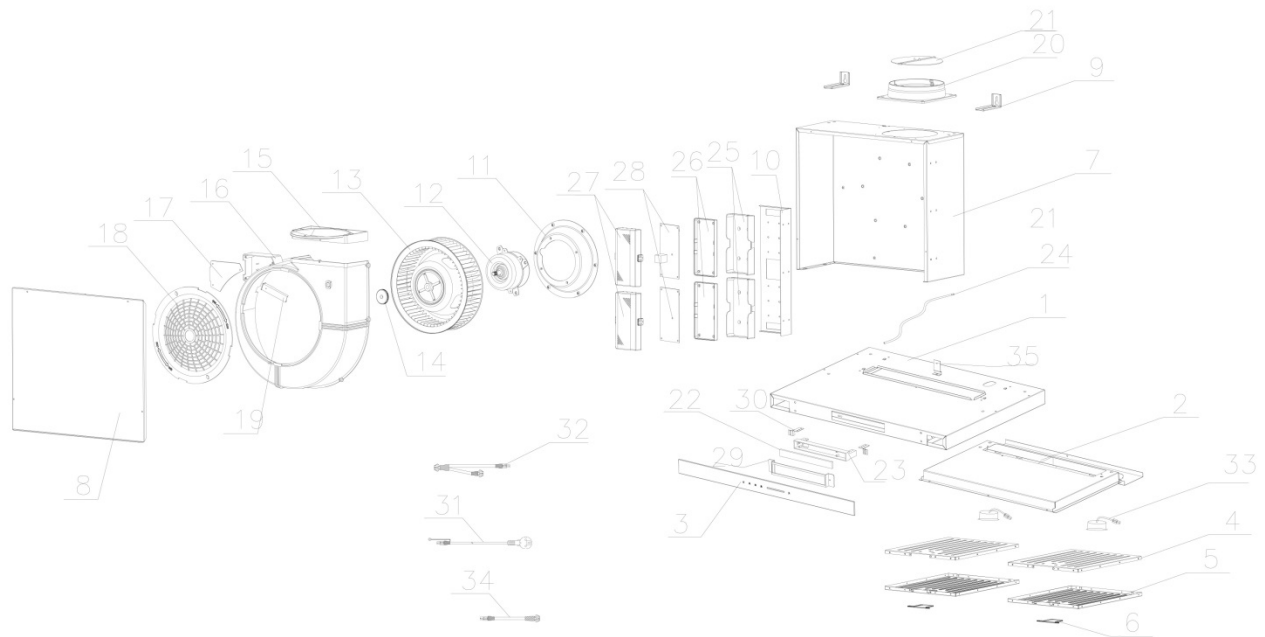


## Spareparts Thermex Model Alsace

### EXPLODED VIEW ALSACE 60 CM



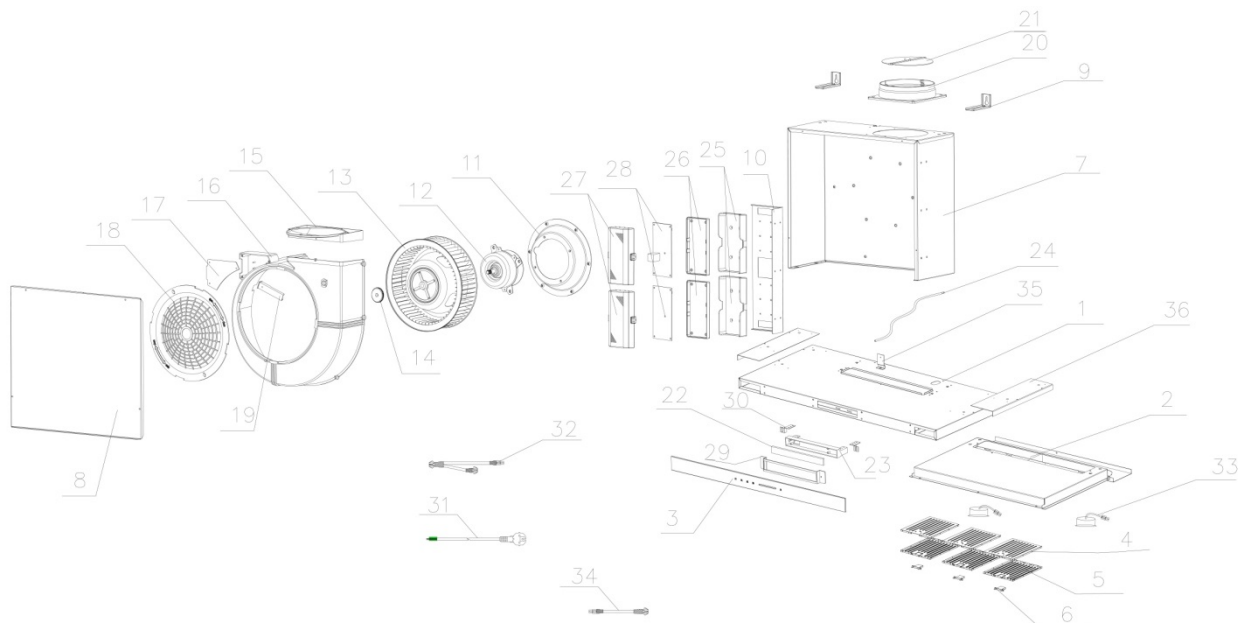
SPAREPARTS ALSACE 60 CM				
No.	Quantity	Code	Name	Thermex Code
1	1	W-ZT-866	Bottom Part	<b>CALL FOR INFO</b>
2	1	W-DB-9125	Upper Part	<b>CALL FOR INFO</b>
3	1	Q-BL-452	White Touch Glass	R520.19.2136.0
3	1	Q-BL-441	Black Touch Glass	R520.19.2138.0
4+5+6	2	W-GLW-481/ W-GLW-482/ Q-SK-173	Baffelfilter	R520.21.2118.0
7	1	W-DJX-1178	Motor Box	<b>CALL FOR INFO</b>
8	1	W-DJX-1177	Box Cover	<b>CALL FOR INFO</b>
9	1	W-LT-9210/ S-LS-008/ P-PZG-662/ S-LS-107/ P-TP-170	Mounting set	R520.21.2107.0
10	1	W-GBD-8597	Socket Holde	<b>CALL FOR INFO</b>
11+12	1	D-DJ-347	Motor	R520.21.2100.0
13	1	W-FYL-9201	Impeller	R520.21.2108.0
14	1	S-LM-210	Impeller positining Nut	<b>CALL FOR INFO</b>
15	1	P-CFK-784	Outlet cover	<b>CALL FOR INFO</b>
16	1	P-WH-759	Motor cover	<b>CALL FOR INFO</b>
17	1	P-JXH-359	Capaciter cover	<b>CALL FOR INFO</b>
18	1	P-DFB-750	Impeller cover	<b>CALL FOR INFO</b>
19	1	P-GXC-751	Motor Cover bracket	<b>CALL FOR INFO</b>
20+21	1	P-DFT-163/ P-HY-705	Outlet with Flaps	R520.21.2106.0

## Spareparts Thermex Model Alsace

22	1	D-KZB-559	Slidercontrol	R520.21.2119.0
23+3	1	P-KGH-1300/ W-ZJ-9062	Holder for Sliderkontrol	R520.19.2135.0
24	1	D-LJX-420	Wire	<b>CALL FOR INFO</b>
25	1	P-KZH-711	Socket for QF color blue	<b>Use R520.19.5034.0</b>
25	1	P-KZH-708	Socket for QF color black	R520.19.5034.0
26 + 27 + 28	1	D-DLB-2070	QF Multi LED	R520.19.2026.0
26 + 27 + 28	1	D-DLB-760	QF multi for motor	R520.19.2112.0
29	1	W-ZJ-9059	Slider bracket	<b>CALL FOR INFO</b>
30	1	W-ZJ-9062	Brackets Behind Slider	<b>CALL FOR INFO</b>
31	1	D-DYX-044	Power connector	<b>CALL FOR INFO</b>
32	1	D-LJX-648	Kabel Multi Parallel Led	R520.19.2134.0
33	2	D-LEDD-713	LED light	R520.19.2022.0
34	1	D-SJX-248	Rinnon Cabel	R520.21.7030.0
35	1	W-JQB-8719	Metal spring	<b>CALL FOR INFO</b>

## Spareparts Thermex Model Alsace

### EXPLODED VIEW ALSACE 90 CM



SPAREPARTS ALSACE 90 CM				
No.	Quantity	Code	Name	Thermex Code
1	1	W-ZT-866	Buttom Part	<b>CALL FOR INFO</b>
2	1	W-DB-9125	Upper Part	<b>CALL FOR INFO</b>
3	1	Q-BL-452	White Touch Glass	R520.19.2136.0
3	1	Q-BL-441	Black Touch Glass	R520.19.2138.0
4+5+6	2	W-GLW-481/ W-GLW-482/ Q-SK-173	Baffelfilter	R520.21.2118.0
7	1	W-DJX-1178	Motor Box	<b>CALL FOR INFO</b>
8	1	W-DJX-1177	Box Cover	<b>CALL FOR INFO</b>
9	1	W-LT-9210/ S-LS-008/ P-PZG-662/ S-LS-107/ P-TP-170	Mounting set	R520.21.2107.0
10	1	W-GBD-8597	Socket Holde	<b>CALL FOR INFO</b>
11+12	1	D-DJ-347	Motor	R520.21.2100.0
13	1	W-FYL-9201	Impeller	R520.21.2108.0
14	1	S-LM-210	Impeller positining Nut	<b>CALL FOR INFO</b>
15	1	P-CFK-784	Outlet cover	<b>CALL FOR INFO</b>
16	1	P-WH-759	Motor cover	<b>CALL FOR INFO</b>
17	1	P-JXH-359	Capaciter cover	<b>CALL FOR INFO</b>
18	1	P-DFB-750	Impeller cover	<b>CALL FOR INFO</b>
19	1	P-GXC-751	Motor Cover bracket	<b>CALL FOR INFO</b>
20+21	1	P-DFT-163/ P-HY-705	Outlet with Flaps	R520.21.2106.0
22	1	D-KZB-559	Slidercontrol	R520.21.2119.0
23+30	1	P-KGH-1300/ W-ZJ-9062	Holder for	R520.19.2135.0

## Spareparts Thermex Model Alsace

			Sliderkontrol	
24	1	D-LJX-420	Wire	<b>CALL FOR INFO</b>
25	1	P-KZH-711	Socket for QF color blue	<b>Use R520.19.5034.0</b>
25	1	P-KZH-708	Socket for QF color black	R520.19.5034.0
26 + 27 + 28	1	D-DLB-2070	QF Multi LED	R520.19.2026.0
26 + 27 + 28	1	D-DLB-760	QF multi for motor	R520.19.2112.0
29	1	W-ZJ-9059	Slider bracket	<b>CALL FOR INFO</b>
31	1	D-DYX-044	Power connector	<b>CALL FOR INFO</b>
32	1	D-LJX-648	Kabel Multi Parallel Led	R520.19.2134.0
33	2	D-LEDD-713	LED light	R520.19.2022.0
34	1	D-SJX-248	Rinnon Cabel	R520.21.7030.0
35	1	W-JQB-8719	Metal spring	<b>CALL FOR INFO</b>